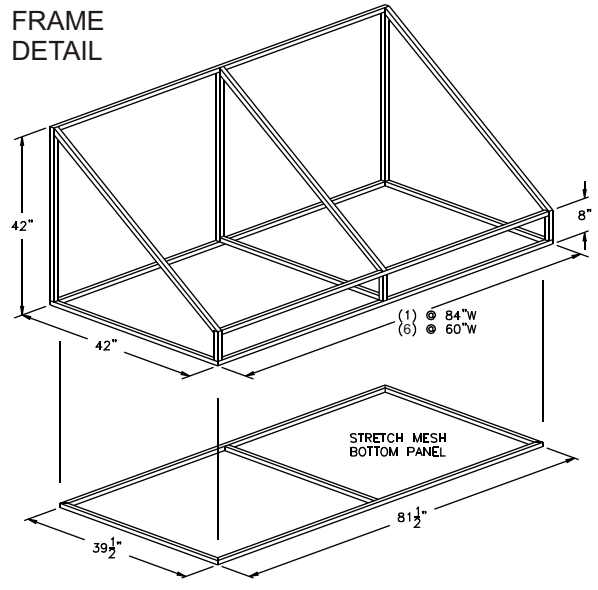




FRAME
DETAIL



Engineering Division

| | |
|--------------|-------------------|
| Customer | Robinson / Biomet |
| Date | 10/29/08 |
| Computer No. | Biomet.cdr |
| Plan Type | Awnings |
| Scale | None |
| Drawn By | JM |

LCA&S Lake City
awnings & signs

10203 S.R. 13, Syracuse, In. 46567
Ph: 574-528-6061 Fax: 574-528-6063
Toll Free: 1-866-269-4447

Notice:
This drawing and the data thereon shall not be duplicated, used or disclosed to others for procurement or manufacturing purposes, except as otherwise authorized by contract, without the written permission of Lake City Awnings & Signs Inc.