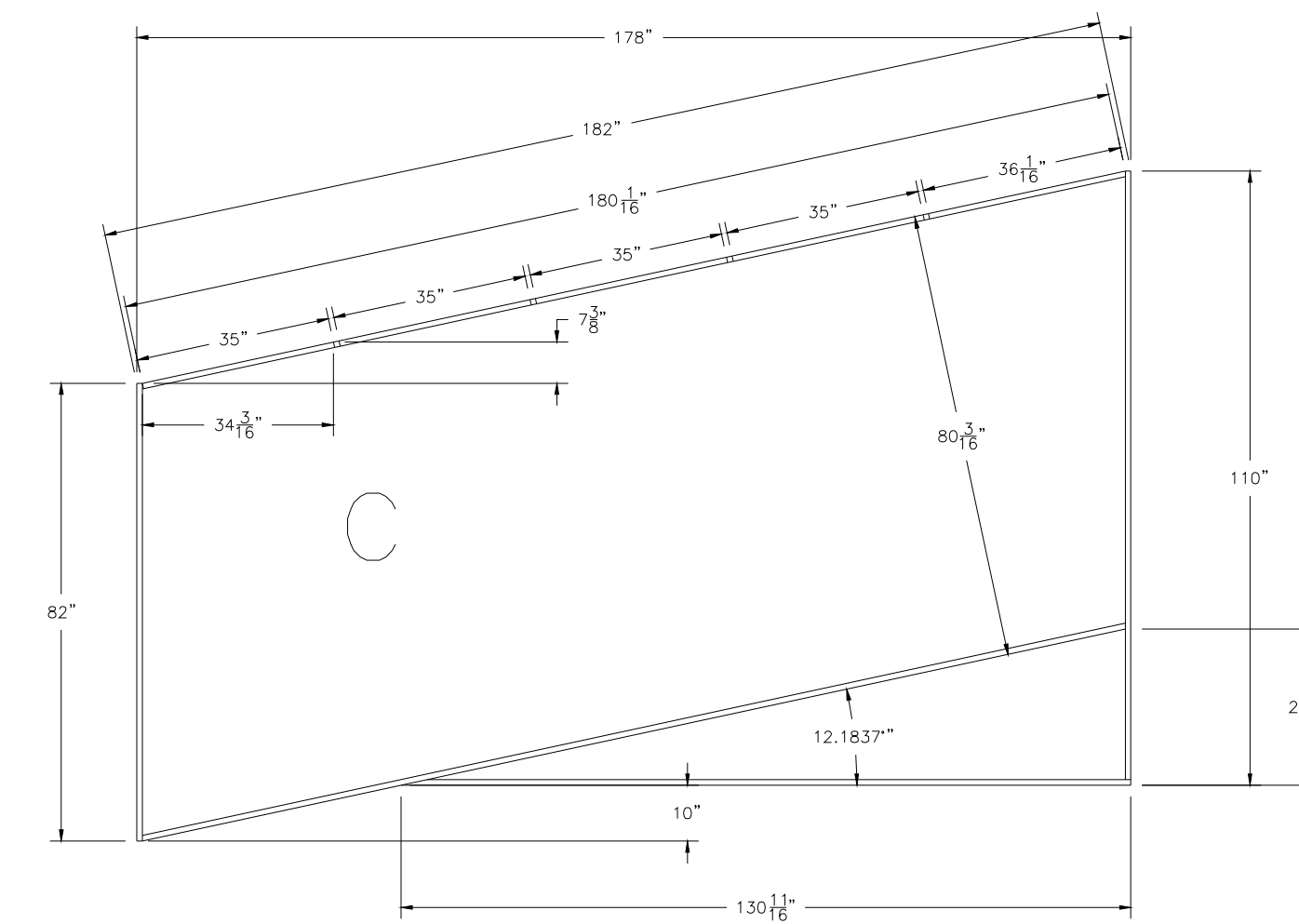
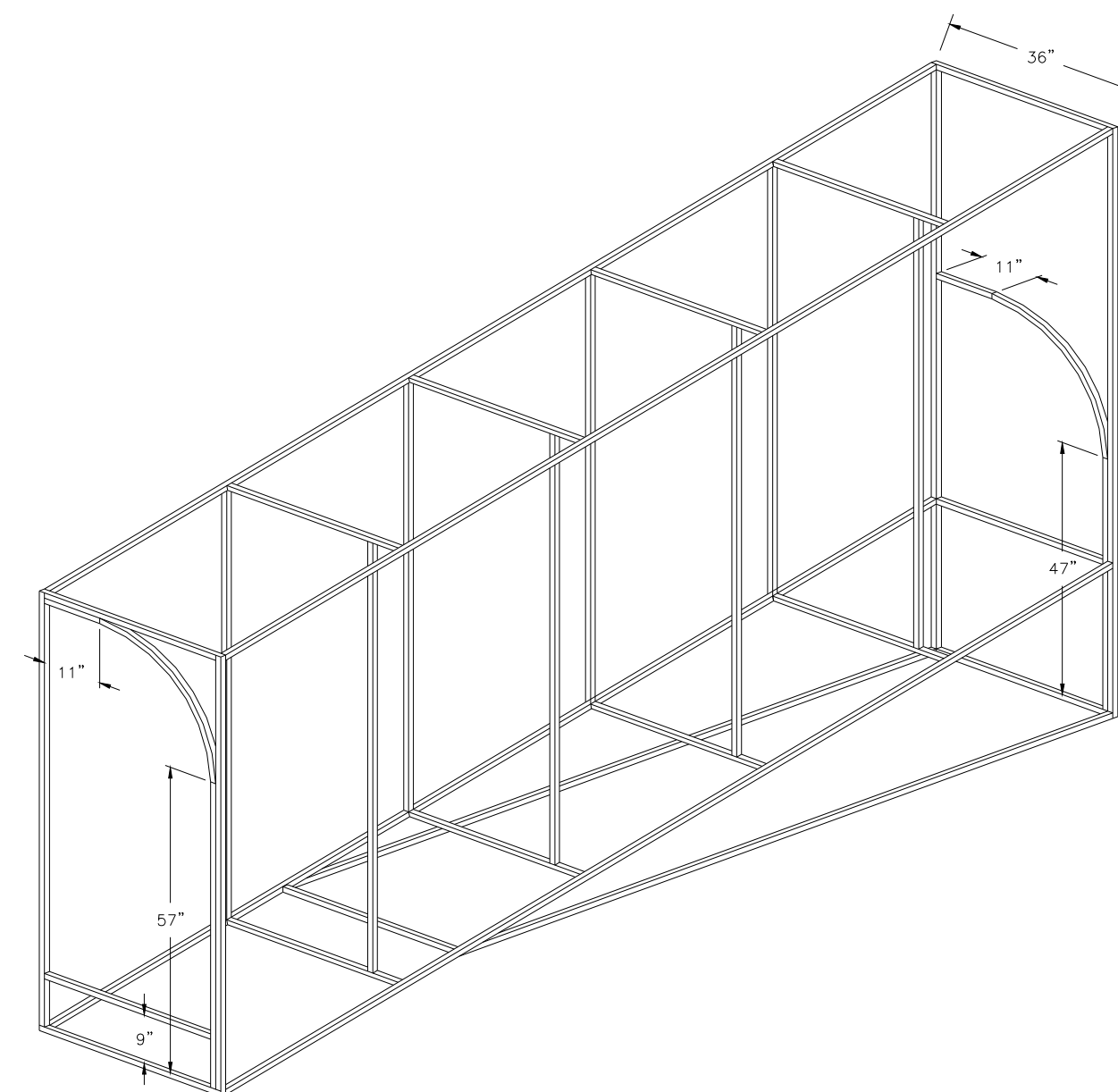


HIRES AWNING
SECTION B
(2) FRAMES REQUIRED
NO VALANCE



Notice:
This drawing and the data thereon shall not be duplicated, used or
disclosed to others for procurement or manufacturing purposes,
except as otherwise authorized by contract, without the written
permission of Lake City Awnings & Signs Inc.

Engineering Division	
Customer	Hires
Date	08/01/05
Computer No.	Hires.dwg
Plan Type	Awning Details
Scale	1/4"=1'-0"
Drawn By	JM

LC
CAP-SERVICES
A Division of Lake City Awnings & Signs, Inc.

10203 S.R. 13, Syracuse, In. 46567
Ph: 574-528-6061 Fax: 574-528-6063
Toll Free: 1-866-269-4447