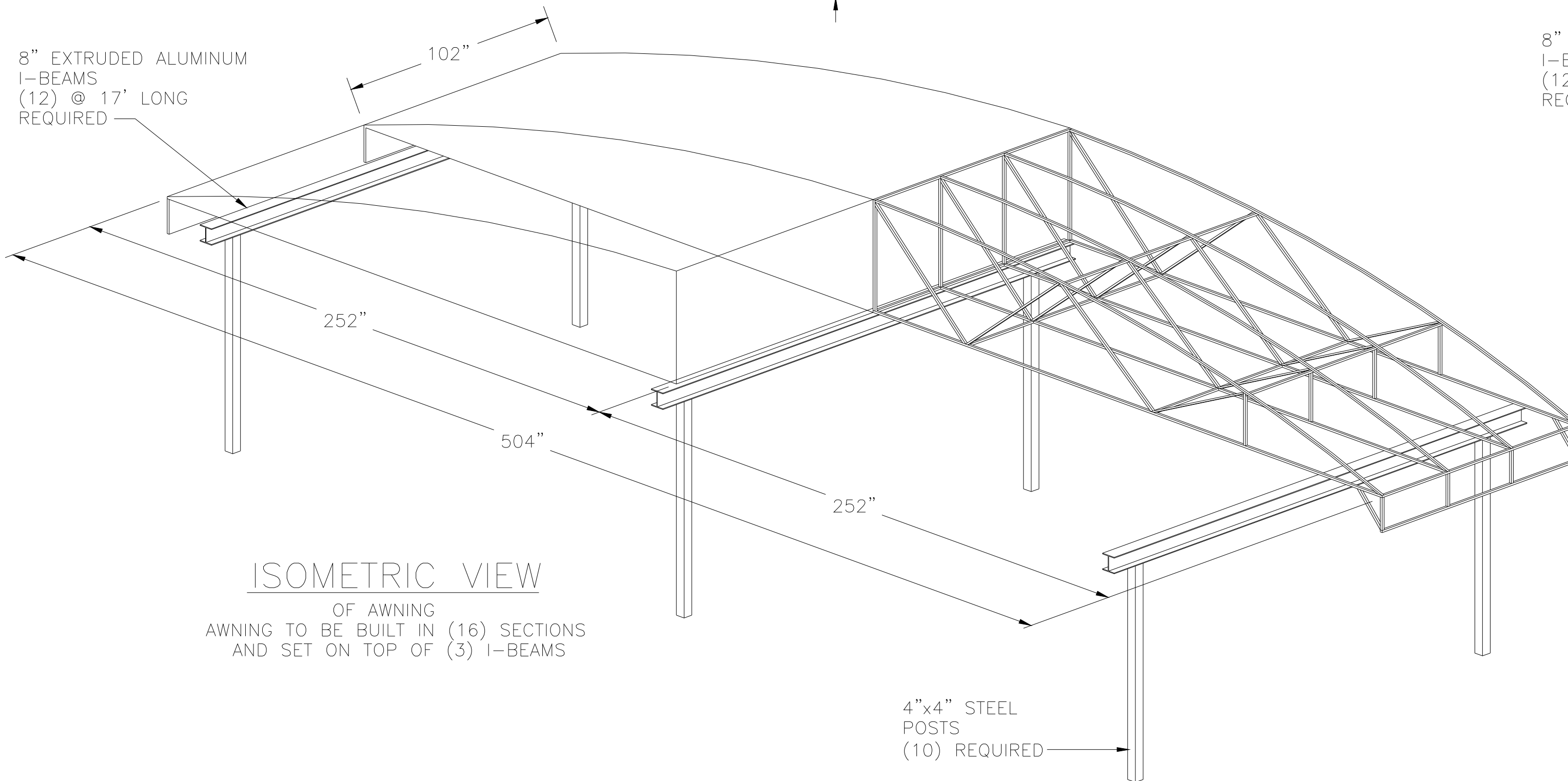


8" EXTRUDED ALUMINUM
I-BEAMS
(12) @ 17' LONG
REQUIRED

8" EXTRUDED ALUMINUM
I-BEAMS
(12) @ 17' LONG
REQUIRED



ISOMETRIC VIEW
OF AWNING
AWNING TO BE BUILT IN (16) SECTIONS
AND SET ON TOP OF (3) I-BEAMS

Notice:
This drawing and the data thereon shall not be duplicated, used or disclosed to others for procurement or manufacturing purposes, except as otherwise authorized by contract, without the written permission of Lake City Awning & Signs Inc.

Engineering Division	
Customer	Lake City Awning & Signs
Date	04/14/03
Computer No.	Kruse.dwg
Plan Type	Awning Details
Scale	None
Drawn By	JM

LC
CAP-SERVICES
A Division of Lake City Awning & Signs, Inc.

10203 S.R. 13, Syracuse, In. 46567
Ph: 574-528-6061 Fax: 574-528-6063
Toll Free: 1-866-269-4447