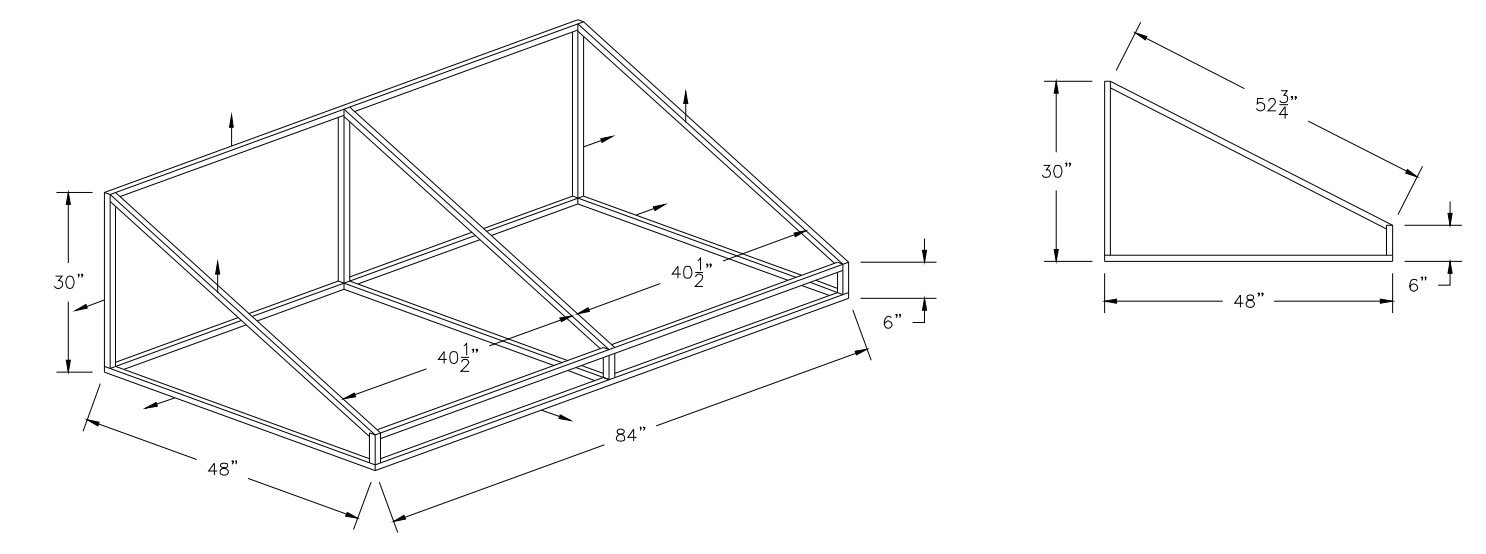
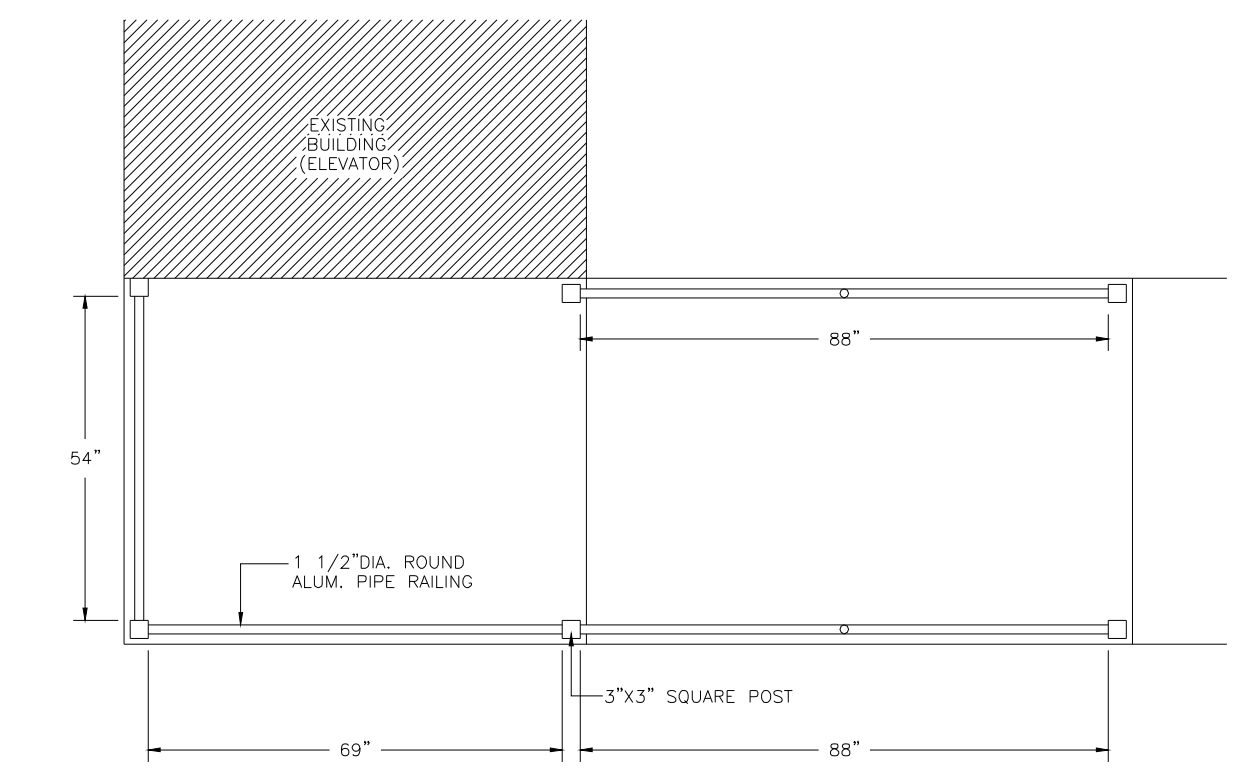
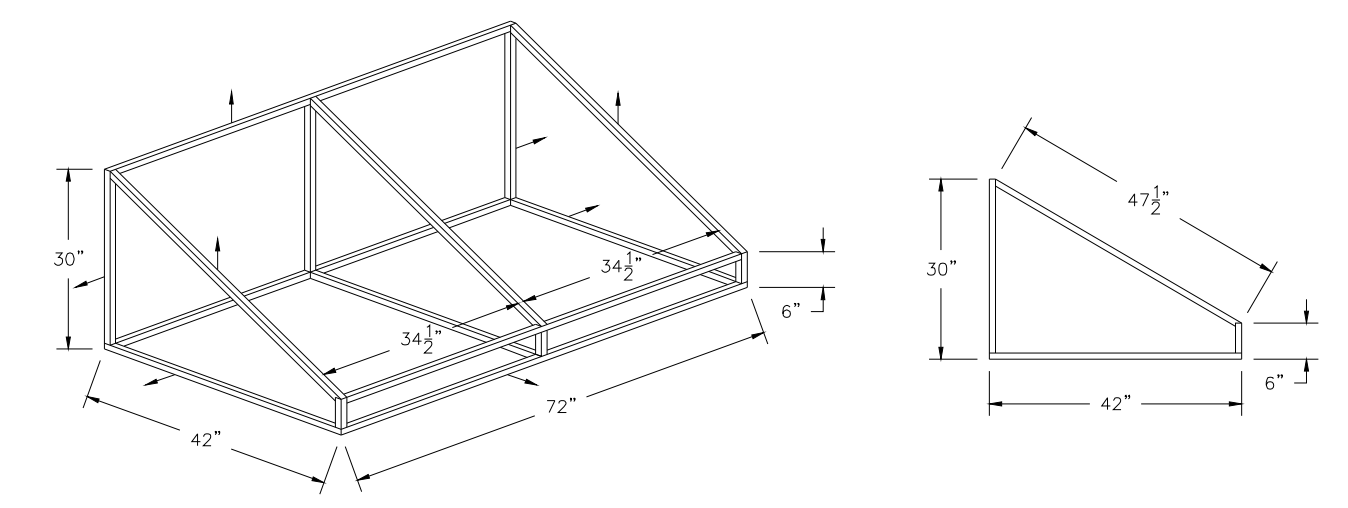


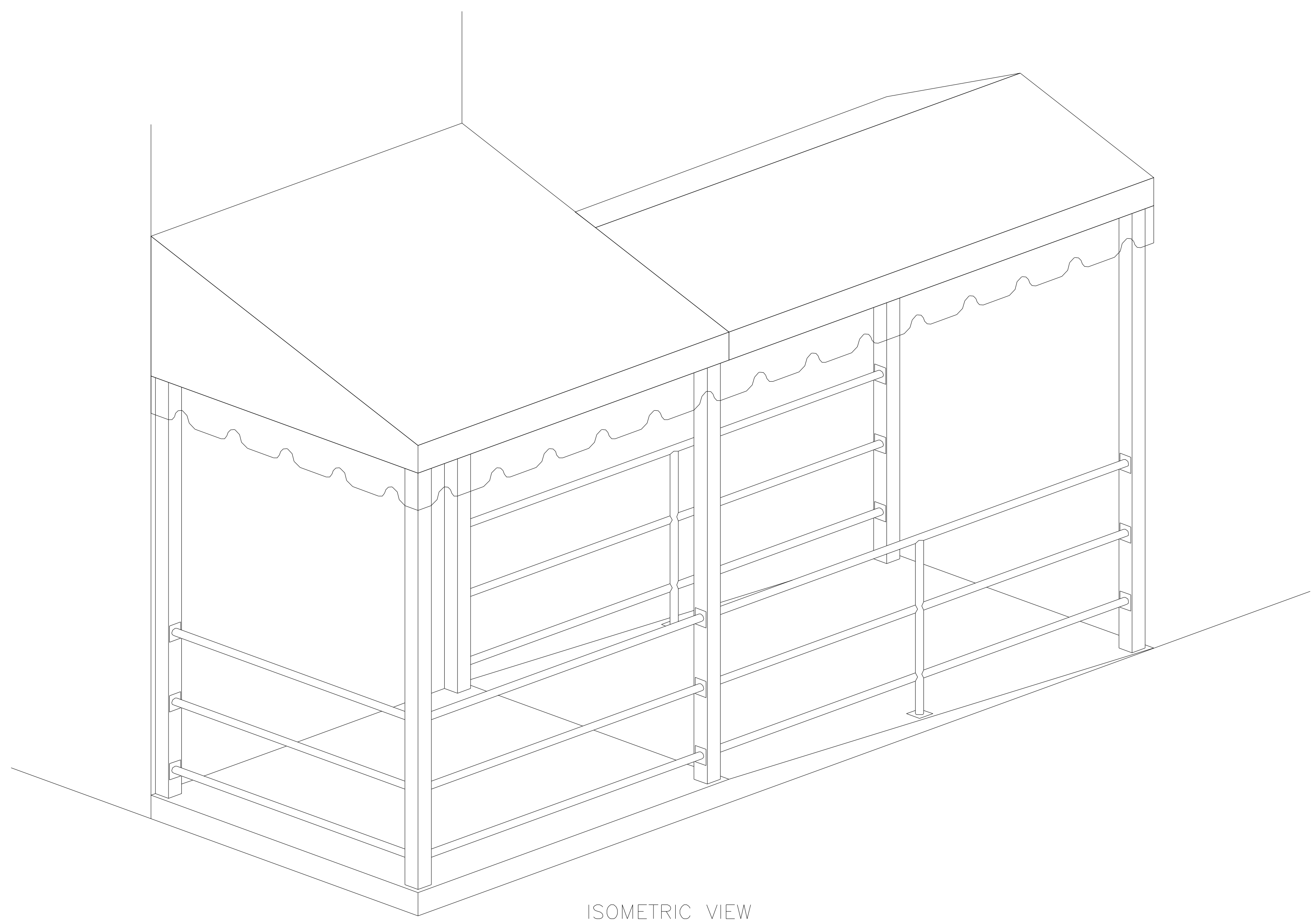
SUNBRELLA FABRIC: BLACK CHERRY
8" VALANCE
FRAMES TO BE BOLTED TOGETHER
AFTER COVERING.
LIVING GOSPEL CHURCH



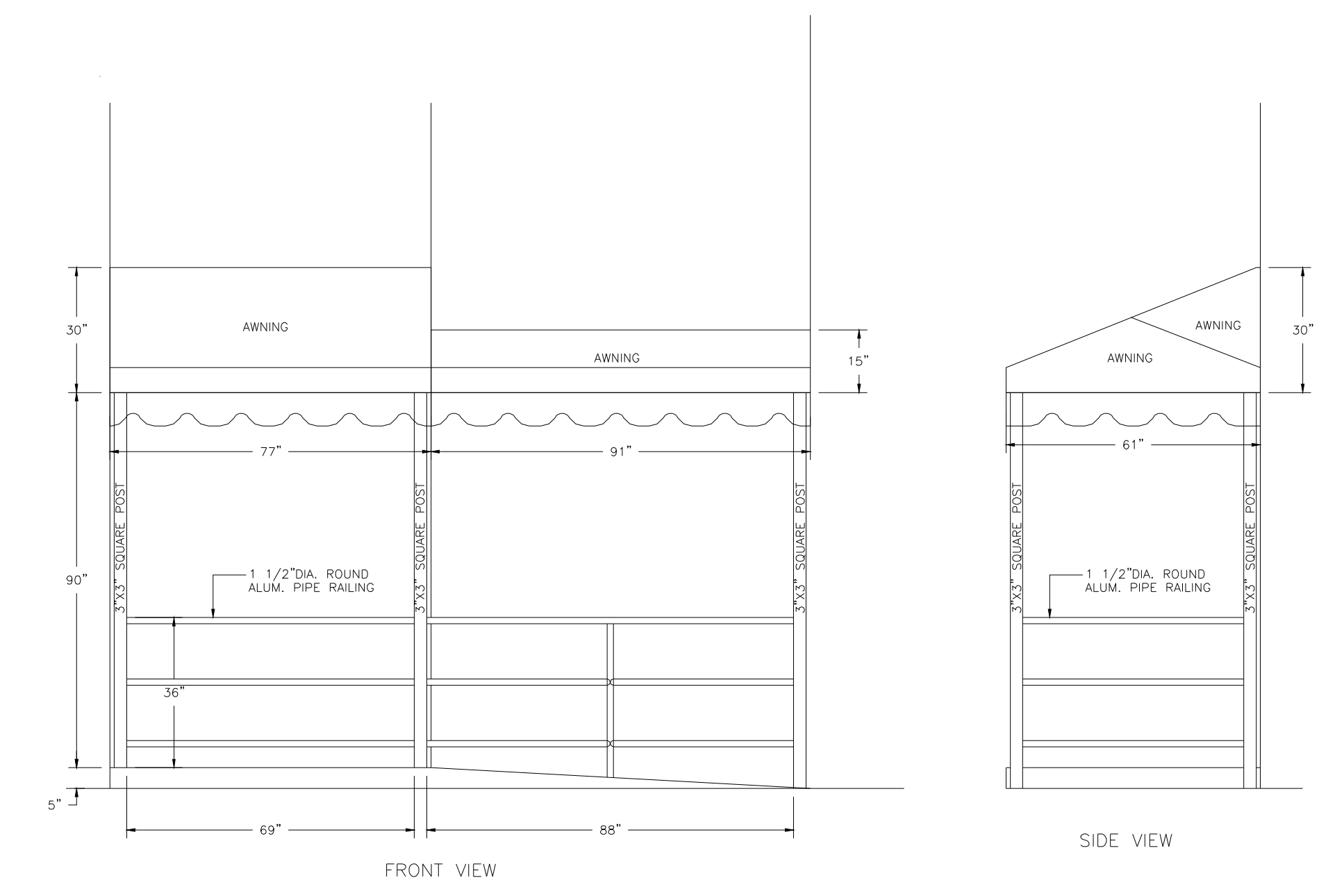
SUNBRELLA FABRIC: BLACK CHERRY
8" VALANCE
LIVING GOSPEL CHURCH



TOP VIEW
POST AND RAIL
LAYOUT



ISOMETRIC VIEW



FRONT VIEW

SIDE VIEW

Notice:
This drawing and the data thereon shall not be duplicated, used or
disclosed to others for procurement or manufacturing purposes,
except as otherwise authorized by contract, without the written
permission of Lake City Awnings & Signs Inc.

| Engineering Division | |
|----------------------|----------------------|
| Customer | Living Gospel Church |
| Date | 08/01/04 |
| Computer No. | LGC.dwg |
| Plan Type | Awning Details |
| Scale | 3/8"=1'-0" |
| Drawn By | JM |

LC
CAP-SERVICES
A Division of Lake City Awnings & Signs, Inc.
10203 S.R. 13, Syracuse, In. 46567
Ph: 574-528-6061 Fax: 574-528-6063
Toll Free: 1-866-269-4447