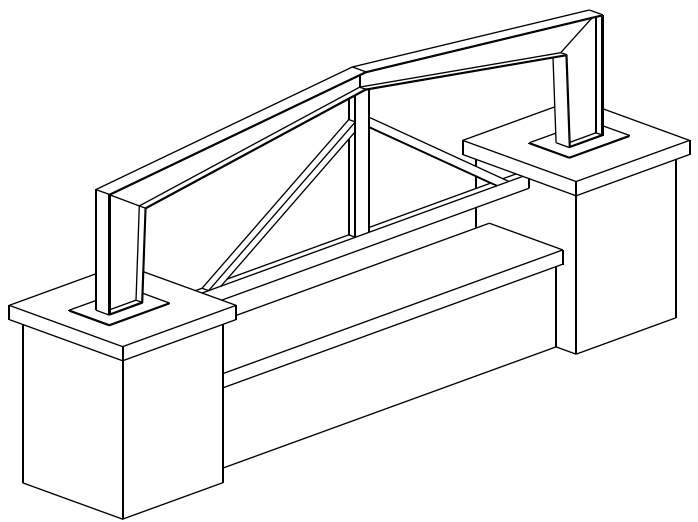
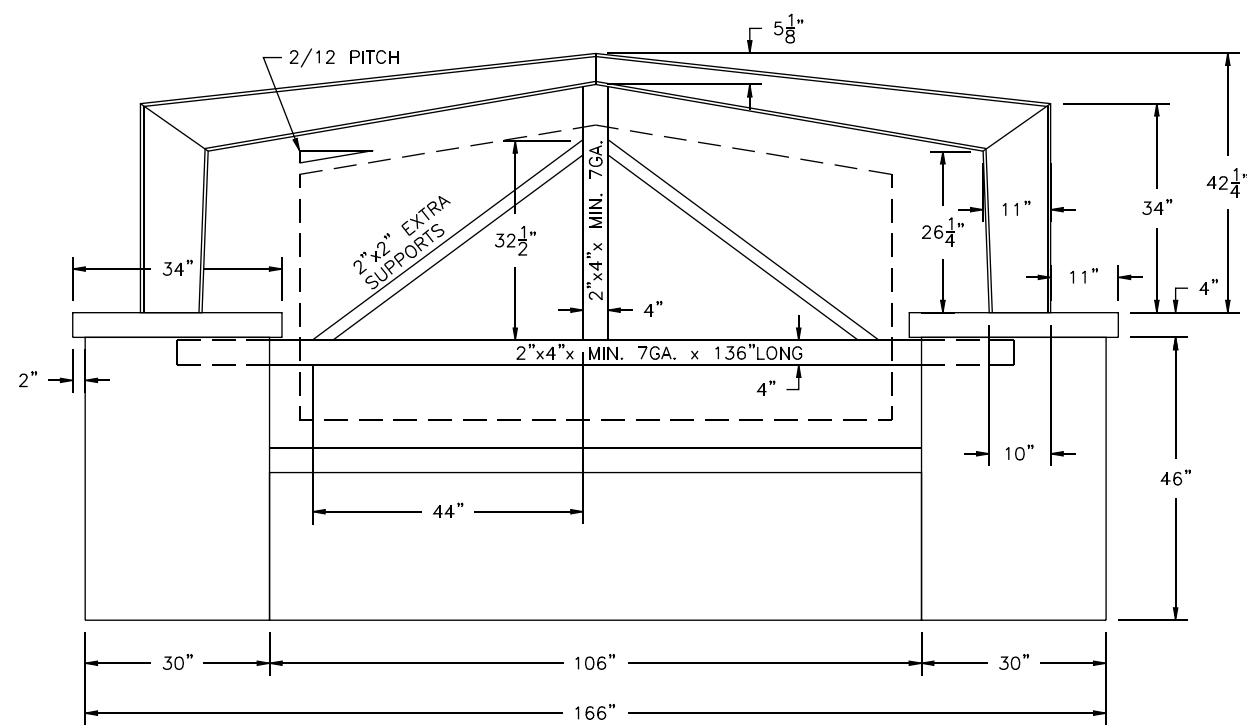
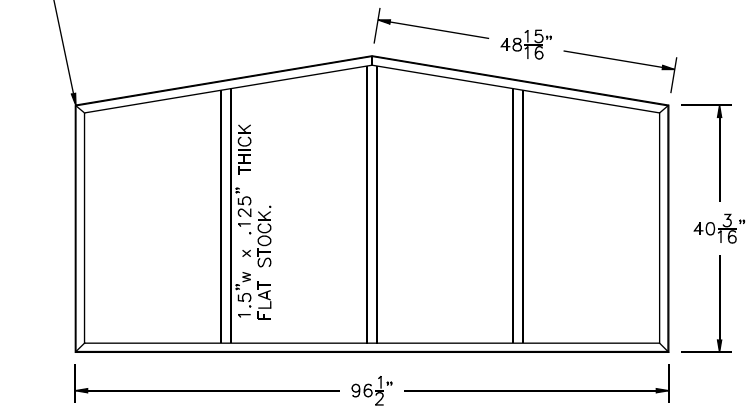


1.5"x1.5"x .125" THICK  
 STEEL FRAME MADE TO  
 FIT SIGN. POWDER COATED  
 TO MATCH SIGN COLOR.  
 MFG BY LAKE CITY AWNINGS & SIGNS, INC.



Notice:  
 This drawing and the data thereon shall not be duplicated, used or  
 disclosed to others for procurement or manufacturing purposes,  
 except as otherwise authorized by contract, without the written  
 permission of Lake City Awnings & Signs Inc.

Engineering Division	
Customer	Robinson Construction
Date	10/01/08
Computer No.	SignStructureDetail.cdr
Plan Type	Sign
Scale	None
Drawn By	JM



10203 S.R. 13, Syracuse, In. 46567  
 Ph: 574-528-6061 Fax: 574-528-6063  
 Toll Free: 1-866-269-4447